

jeffery a. scott
architects p.c.

32316 grand river ave.
suite 200
farmington, mi 48336
248-476-8800
JSCOTTARCHITECTS.COM

copyright © 2022

SHEET TITLE:

ARCHITECTURAL
SITE PLAN

PROJECT:

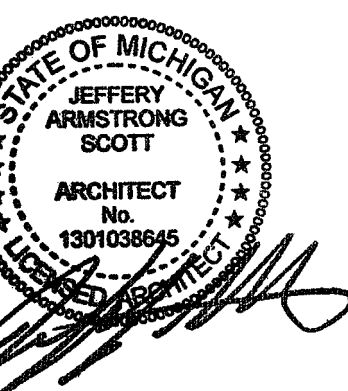
BUILDING DEMOLITION
408 WEST MAUMEE STREET
ADRIAN, MI 49221

ISSUED FOR:

BIDS AND PERMITS 01/06/23

PKG REVISION 01/11/23

CITY REVISIONS 01/27/23



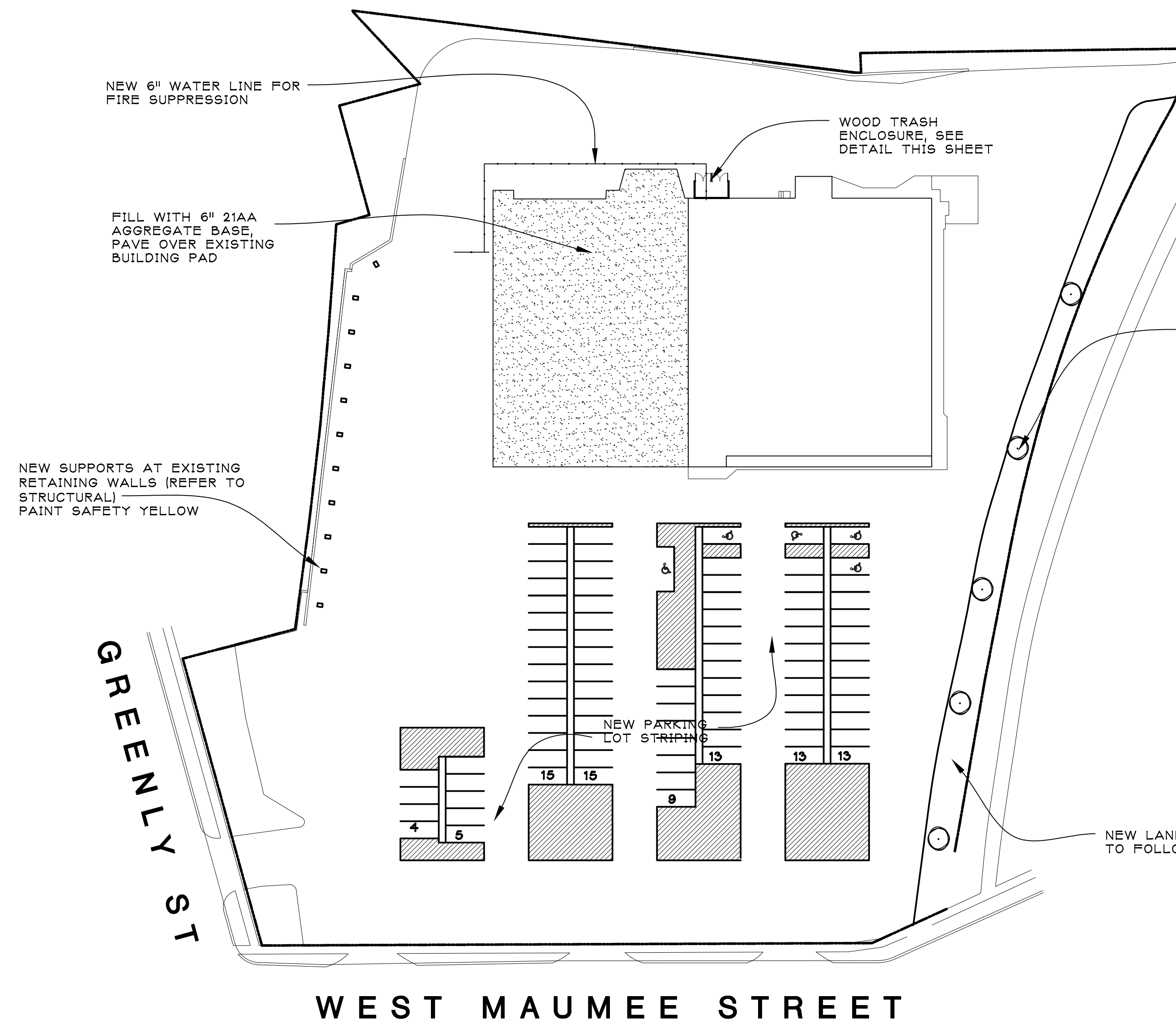
DO NOT SCALE PRINTS
USE FIGURED DIMENSIONS ONLY
JOB NO.

22129

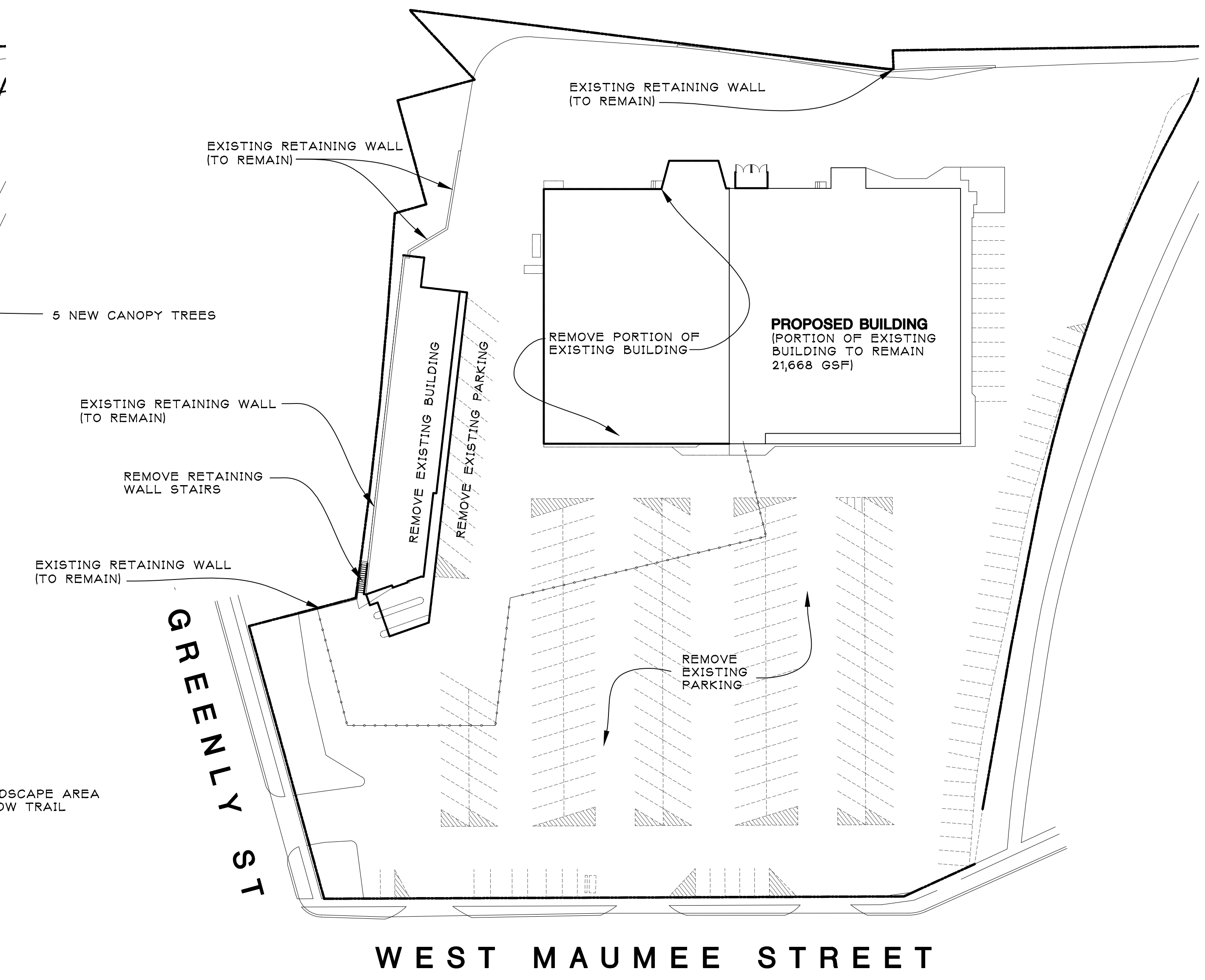
SHEET NO.

A100

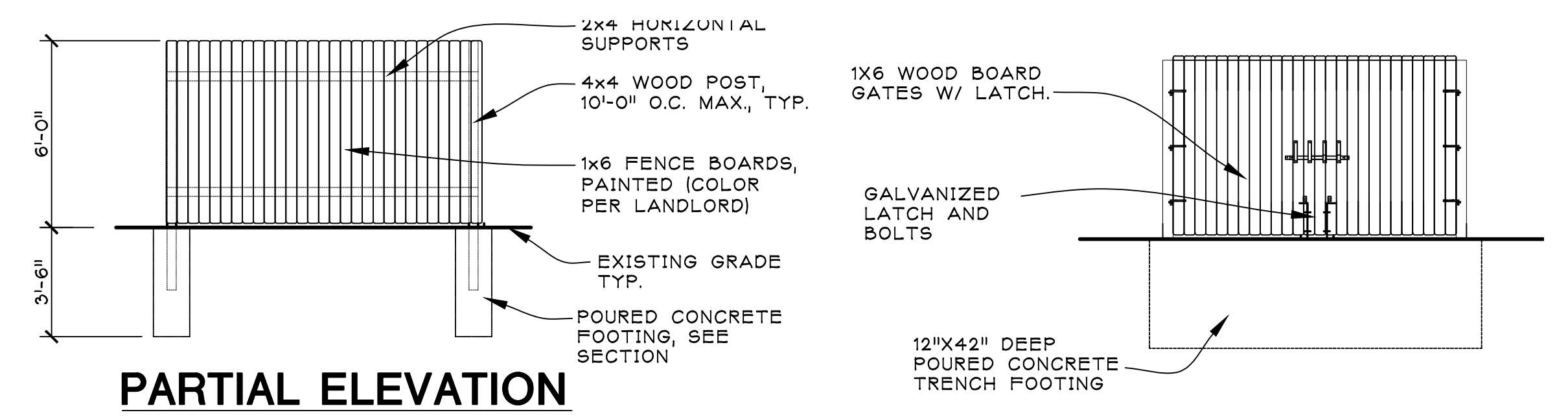
PLOT SIZE: 36"x24"



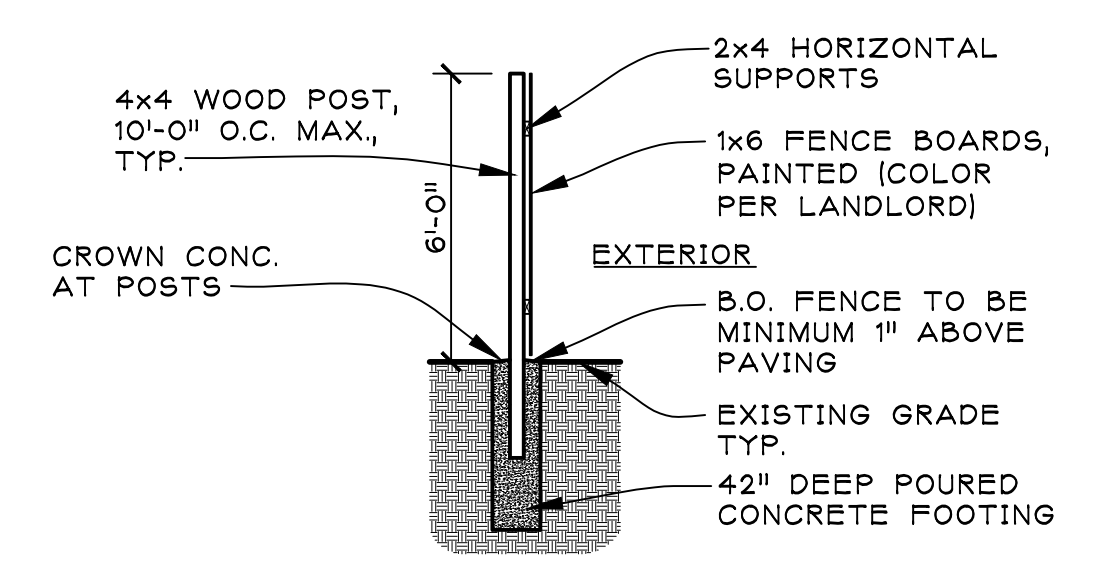
ARCHITECTURAL SITE PLAN
SCALE: 1" = 50'-0"



ARCHITECTURAL SITE PLAN - DEMO
SCALE: 1" = 50'-0"



PARTIAL ELEVATION

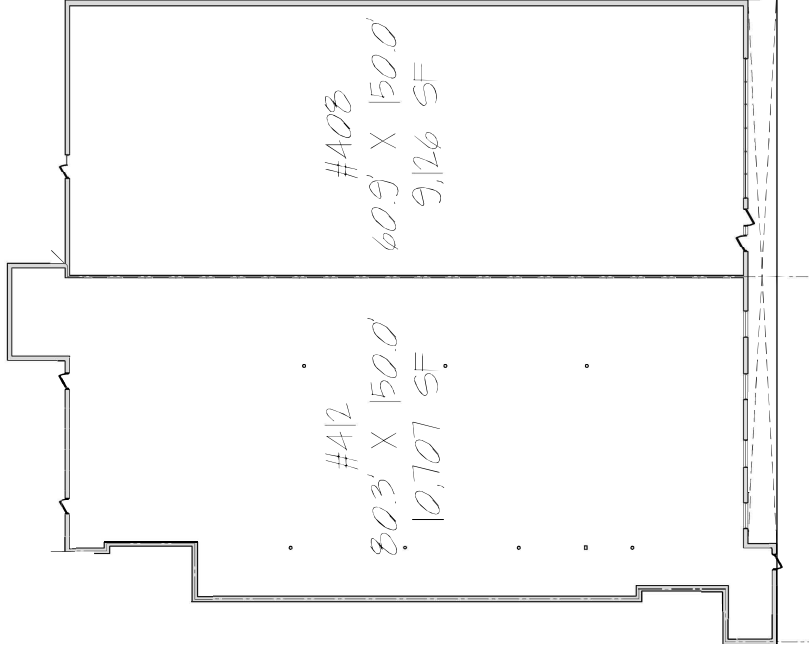


SECTION

10 DUMPSTER ENCLOSURE DETAIL
A100 SCALE: 1/4" = 1'-0"

DOLLAR TREE MAUMEE

408 W. MAUMEE STREET



Front of Building

NOTES:

1. TENANT SPACE AREA CALCULATIONS WHERE EXISTING DEMISING WALLS ARE PRESENT, DETERMINED BY MEASUREMENT TO THE CENTER OF DEMISING WALLS/PARTITIONS AND TO THE EXTERIOR FACE OF EXTERIOR WALLS.
2. INTERIOR TENANT SPACE WIDTH AND DEPTH DIMENSIONS ARE APPROXIMATE AS SHOWN. FOR EXACT WIDTH AND DEPTH DIMENSIONS, EACH TENANT SPACE SHOULD BE MEASURED BY A QUALIFIED PROFESSIONAL.
3. THE ORIENTATION OF THE INDICATED NORTH ARROW MAY NOT BE 'TRUE NORTH', BUT IS SUBSTANTIALLY NORTH, AS SUCH, IT IS 'CALLED NORTH', AND IS NOT INTENDED FOR NAVIGATIONAL USAGE.
4. UNIT SIZES & AREA ARE APPROXIMATE.



JMC MANAGEMENT LLC
A FULL SERVICE BROKERAGE AND MANAGEMENT FIRM